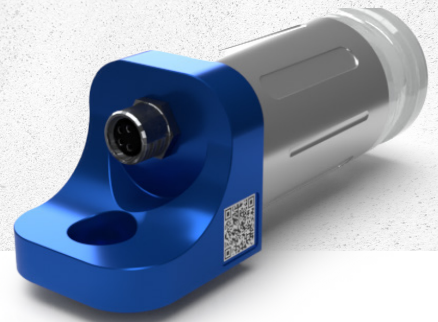


purePULSE

Wireless true RPM-sensor



purePULSE is an easy to install long range wireless speed sensor made for contactless precise measurement of revolutions per minute. The speed sensors detect the motion of ferromagnetic structures, such as gearwheels or shafts, and in combination with pureMEMS it becomes the perfect tool for analysing applications with variable speed.

Features – go from reactive to proactive

- Up to 2 km distance wireless monitoring using LoRa X2 Radio.
- Integrated with pureCLOUD for more precise vibration monitoring.
- Synchronize vibration measurement with accurate machine RPM.
- Counts the machine running hours.
- REED-switch suited for harsh industrial environments.
- RESTAPI for integration for actual RPM and Machine total running hours.



PUMPS | FANS | ELECTRICAL MOTORS | GEARBOXES | CONVEYERS

pureSignal – a complete system solution for your machine monitoring

pureSignal offers a complete range of products for easy monitoring of your machines, Including getaways, Cloud-Services and Apps as well as and wireless RPM-sensor. Stay tuned – more sensors will soon be added to the pureFAMILY.

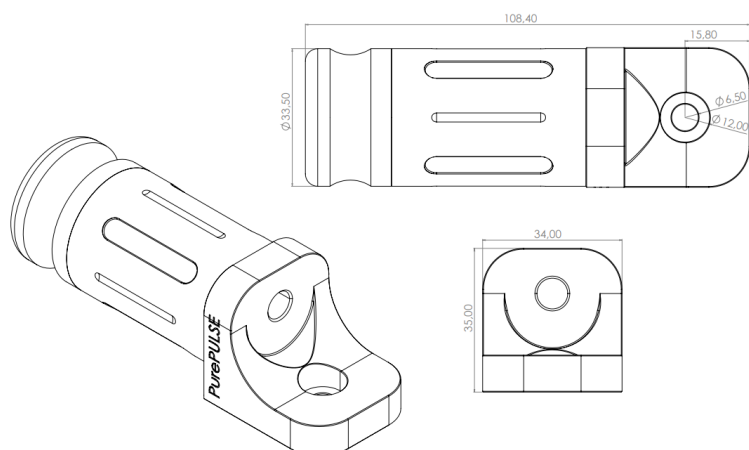
Read more and get started at www.puresignal.se



Technical specifications for purePULSE

Sensor	REED (Magnetic) Two-part magnetically operated proximity sensor
Measurement interval	0,5 Hz (30 RPM) – 250 Hz (15 000 RPM)
Active distance	5 to 12 mm
RPM detection	Sensor starts to measure on first rotation.
Operational time:	minutes / hour (99 % accuracy)
Cable length:	60 cm
Mounting options:	Inbuilt neodyne magnet / M8 bolt / glue adapter
Battery:	Replaceable by user 1 (3.6V, 2100 mAh)
Battery lifetime:	3 years replaceable batteries (SAFT LS 17330)
Environmental:	IP69K Temperature range -40 °C to +85 °C
Led indicator:	Multicolor led for battery and status indication
Magnetic button:	Battery status, trigger single or synchronous measurements
Firmware updates:	OTA – over the air
Synchronous:	Data sampling for all sensors on one machine simultaneous within same second. Velocity RMS, Acceleration (Peak & RMS), Raw time signal
Configuration:	Secure via app
Data security:	AES 128 Encryption
Radio transmission:	X2 LoRa – 868 Mhz

Dimensions



Download app

